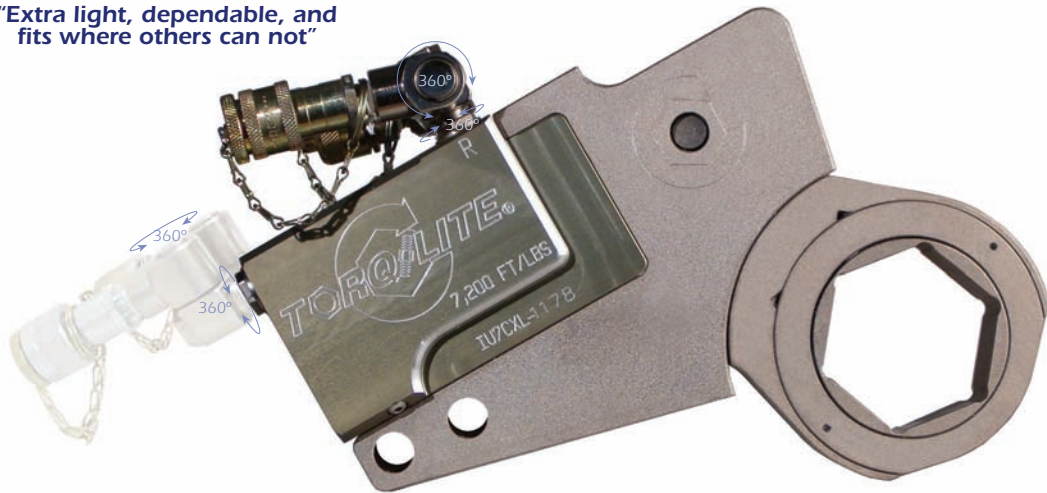




IU-XL SERIES Ratchet Wrench

"Extra light, dependable, and fits where others can not"



Inline ratcheting wrenches require minimum clearance while applying torque on the same plane as the nut, providing a marked improvement over square drive socket wrenches. Our patented design breakthrough reduced the overall dimensions of the inline ratcheting head allowing it to fit almost every application. Our IU-XL Series tool capacities range from 100 to 50,000 foot pounds of torque using a 10,000 p.s.i. hydraulic pump.

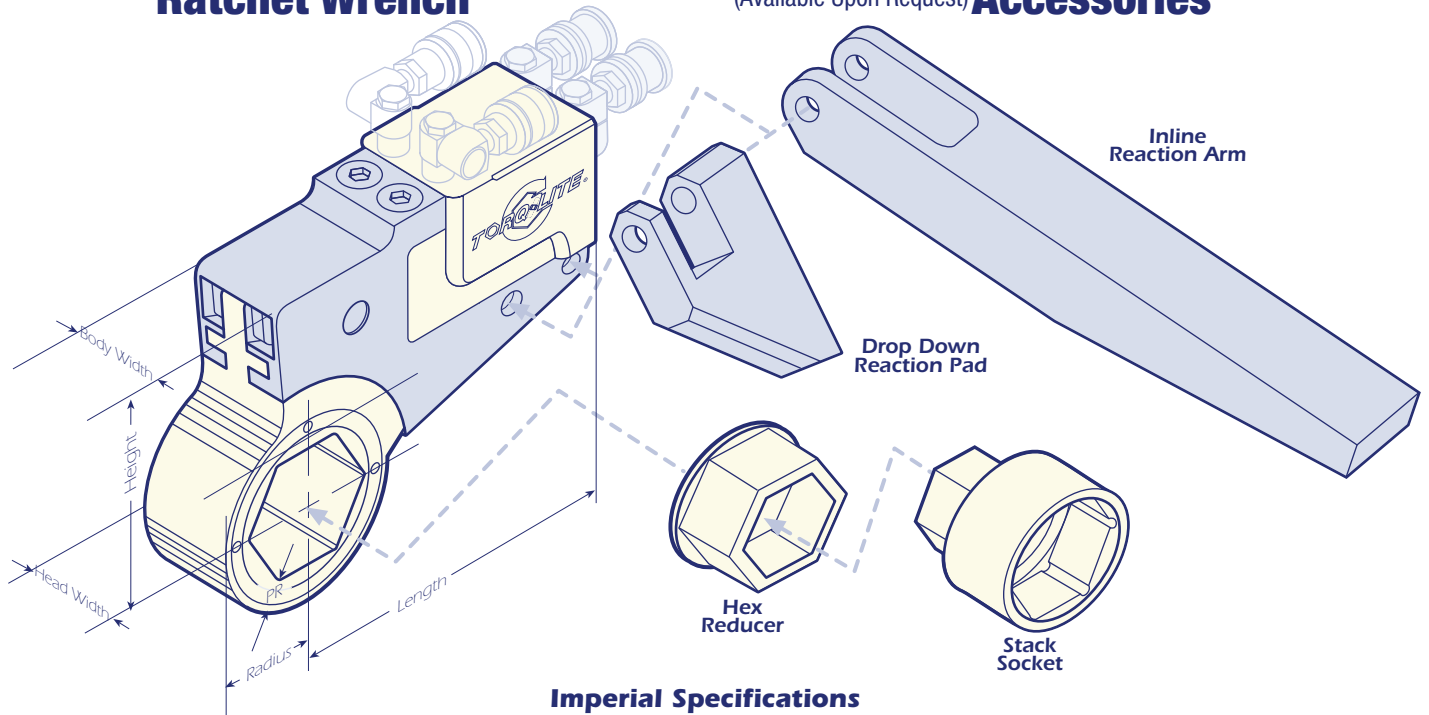
- **Inline Ratchet** - Standard fractional head sizes from 3/4" nuts across the flats. Metric and special sizes available.
- **Precision Machined** - Increases accuracy, durability and repeatability.
- **Unibody** - Eliminates "Pinch Points".
- **360° Swivel Fittings (Patented)** - Allow hose movement without hose binding. Stainless steel with fewer moving parts - a great improvement over competitors' delicate design. (Dual plane swivel fittings shown on wrench above.)
- **Slotted Piston Rod** - Maintains 90° relationship between piston rod and nut. Increases accuracy. Reduces number of moving parts.
- **Cylinder** - Made of TL T-6 durable, high-strength, lightweight aircraft alloy with the same sturdy, dependable and accurate design (as steel cylinder).
- **Reaction Pad** - Reacts against adjacent nut. No reaction member necessary.
- **Multi-Axis Porting System** - The Torq/Lite® IU-XL Series tools are the first and only system that allows the swivels to be manually relocated from the top of the tool to the back of the tool (or vice versa) using only simple hand tools!
- **Direct Porting Technology** - Torq/Lite®'s unique hydraulic porting design incorporates significantly less turns than our competitors for the hydraulic fluid to pass through when coming in and out of the tool. The end result of our design produces a faster actuating and retracting wrench!
- **Drive Pin Design (Patented)** - Reduces overall dimensions of hex head including a thinner "nose" radius. Fits more applications, including all 57 A.P.I. flanges.
- **Coated** - All exposed parts to resist corrosion.
- **Light/Ergonomic** - Reduces operator fatigue.
- **Calibrated** - Every tool is function tested and calibrated to $\pm .03$ accuracy, traceable to N.I.S.T.
- **Warranty** - Torq/Lite® IU-XL Series wrenches come with a 3 Year – 2 Tier warranty, that is the best standard warranty on the market today! We stand behind our wrenches like no other!





IU-XL SERIES

Ratchet Wrench (Available Upon Request) Accessories



Imperial Specifications

IU-XL Series	Min-Max. Ft. Lbs @ 10,000 p.s.i. (+/- 3%)	Length	Height	Body Width	Head Width	Range	Weight with Head
IU-1XL	85/1,350	6.250"	4.000"	1.100"	.950"	3/4" - 2"	7.25 lbs
IU-3XL	302/3,300	7.000"	5.750"	1.450"	*1.075" or †1.200"	1-1/4" - 2-15/16"	9.25 lbs.
IU-7XL	770/7,200	9.250"	6.250"	1.500"	1.500"	2" - 3-7/8"	14.00 lbs
IU-10XL	1,061/10,600	9.750"	8.000"	1.950"	1.950"	2-3/8" - 4-1/4"	24.50 lbs.
IU-17XL	1,890/17,100	11.250"	9.250"	1.950"	2.450"	2-3/4" - 5-3/8"	42.00 lbs.
IU-25XL	2,560/25,600	11.250"	9.250"	2.900"	2.950"	3-1/2" - 5-3/4"	57.00 lbs.
IU-50XL [§]	5,450/50,000	15.375"	10.500"	2.900"	2.950"	4-5/8" - 7-1/4"	85.00 lbs.

* 1-1/4" to 2" Heads

† 2-3/16" to 2-15/16" Heads

§ Steel Cylinders Only

IU-1XL Heads			IU-3XL Heads			IU-7XL Heads			IU-10XL Heads			IU-17XL Heads			IU-25XL Heads			IU-50XL Heads		
ATF	Radius	P/R	ATF	Radius	P/R	ATF	Radius	P/R	ATF	Radius	P/R	ATF	Radius	P/R	ATF	Radius	P/R	ATF	Radius	P/R
3/4"	1.07"	0.41"	1-1/4"	1.38"	0.35"	2"	1.80"	0.47"	2-3/8"	2.02"	0.45"	2-3/4"	2.50"	0.90"	3-1/2"	2.90"	0.87"	4-5/8"	3.92"	1.25"
1-1/16"	1.18"	0.34"	1-7/16"	1.46"	0.35"	2-3/16"	1.88"	0.47"	2-9/16"	2.15"	0.47"	2-15/16"	2.62"	0.90"	3-7/8"	3.18"	0.95"	5"	4.13"	1.25"
1-1/8"	1.29"	0.34"	1-5/8"	1.57"	0.35"	2-3/8"	2.02"	0.47"	2-3/4"	2.40"	0.55"	3-1/8"	2.70"	0.90"	4-1/4"	3.35"	0.90"	5-3/8"	4.35"	1.25"
1-7/16"	1.40"	0.34"	1-13/16"	1.70"	0.40"	2-9/16"	2.15"	0.47"	2-15/16"	2.55"	0.50"	3-1/2"	2.90"	0.90"	4-5/8"	3.58"	0.90"	5-3/4"	4.57"	1.25"
1-5/8"	1.51"	0.34"	1-7/8"	1.79"	0.46"	2-3/4"	2.40"	0.55"	3-1/8"	2.62"	0.55"	3-7/8"	3.18"	0.95"	5"	3.85"	0.96"	6-1/8"	4.78"	1.25"
1-13/16"	1.61"	0.34"	2"	1.79"	0.40"	2-15/16"	2.55"	0.50"	3-1/2"	2.85"	0.85"	4-1/4"	3.35"	0.96"	5-3/8"	4.10"	1.00"	6-1/2"	5.00"	1.25"
2"	1.72"	0.34"	2-3/16"	1.90"	0.40"	3-1/8"	2.62"	0.55"	3-7/8"	3.07"	0.85"	4-5/8"	3.58"	0.96"	5-3/4"	4.32"	1.02"	6-7/8"	5.22"	1.25"
			2-3/8"	1.97"	0.40"	3-1/2"	2.85"	0.63"	4-1/4"	3.26"	0.85"	5"	3.90"	1.00"				7-1/4"	5.43"	1.25"
			2-9/16"	2.12"	0.46"	3-7/8"	3.04"	0.60"				5-3/8"	4.10"	1.00"						
			2-3/4"	2.24"	0.46"															
			2-15/16"	2.36"	0.46"															

