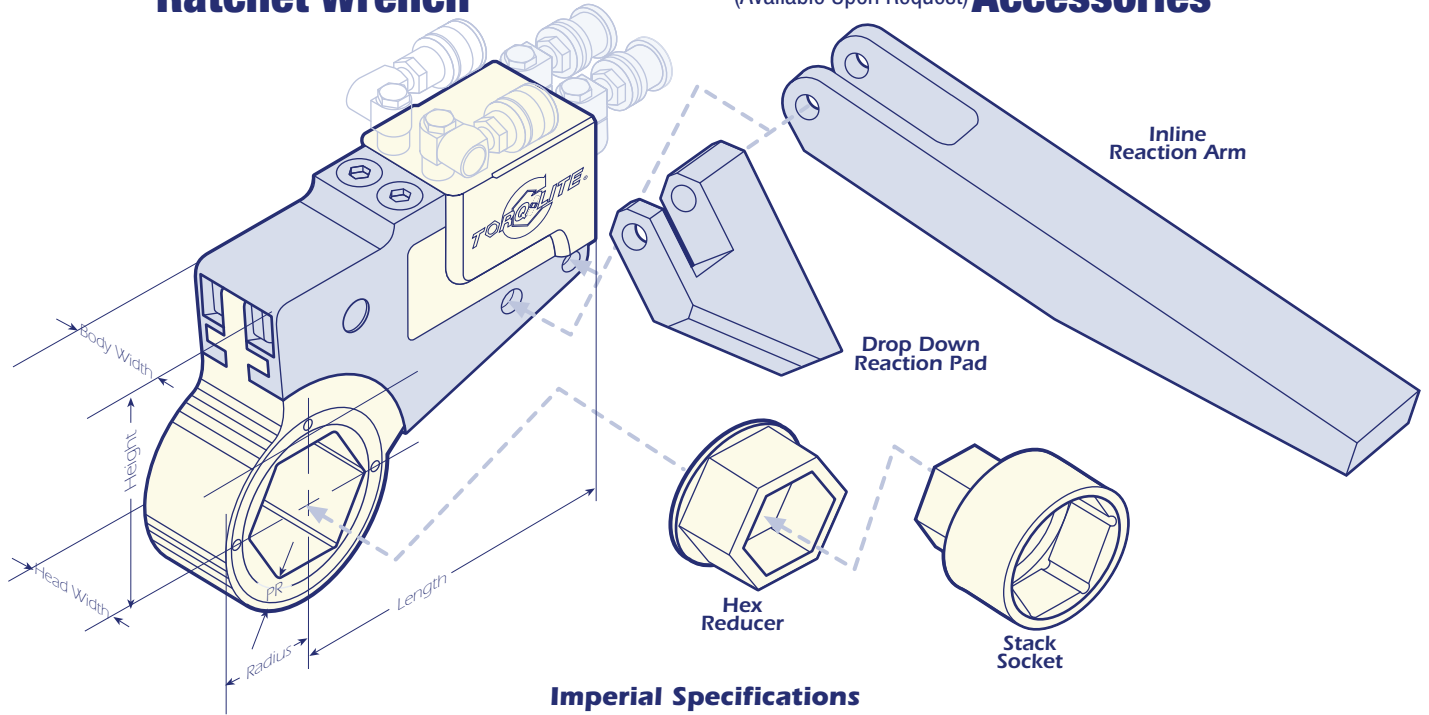




IU-XL SERIES

Ratchet Wrench (Available Upon Request) Accessories



Imperial Specifications

IU-XL Series	Min-Max. Ft. Lbs @ 10,000 p.s.i. (+/- 3%)	Length	Height	Body Width	Head Width	Range	Weight with Head
IU-1XL	85/1,350	6.250"	4.000"	1.100"	.950"	¾" - 2"	7.25 lbs
IU-3XL	302/3,300	7.000"	5.750"	1.450"	*1.075" or †1.200"	1-¼" - 2- ¹⁵ / ₁₆ "	9.25 lbs.
IU-7XL	770/7,200	9.250"	6.250"	1.500"	1.500"	2" - 3- ⁷ / ₈ "	14.00 lbs
IU-10XL	1,061/10,600	9.750"	8.000"	1.950"	1.950"	2- ³ / ₈ " - 4-¼"	24.50 lbs.
IU-17XL	1,890/17,100	11.250"	9.250"	1.950"	2.450"	2- ³ / ₄ " - 5- ³ / ₈ "	42.00 lbs.
IU-25XL	2,560/25,600	11.250"	9.250"	2.900"	2.950"	3-½" - 5- ³ / ₄ "	57.00 lbs.
IU-50XL [§]	5,450/50,000	15.375"	10.500"	2.900"	2.950"	4- ⁵ / ₈ " - 7-¼"	85.00 lbs.

* 1-¼" to 2" Heads

† 2-³/₁₆" to 2-¹⁵/₁₆" Heads

§ Steel Cylinders Only

IU-1XL Heads			IU-3XL Heads			IU-7XL Heads			IU-10XL Heads			IU-17XL Heads			IU-25XL Heads			IU-50XL Heads		
ATF	Radius	P/R	ATF	Radius	P/R	ATF	Radius	P/R	ATF	Radius	P/R	ATF	Radius	P/R	ATF	Radius	P/R	ATF	Radius	P/R
¾"	1.07"	0.41"	1-¼"	1.38"	0.35"	2"	1.80"	0.47"	2- ³ / ₈ "	2.02"	0.45"	2- ³ / ₄ "	2.50"	0.90"	3-½"	2.90"	0.87"	4- ⁵ / ₈ "	3.92"	1.25"
1- ¹ / ₁₆ "	1.18"	0.34"	1- ⁷ / ₁₆ "	1.46"	0.35"	2- ³ / ₁₆ "	1.88"	0.47"	2- ⁹ / ₁₆ "	2.15"	0.47"	2- ¹⁵ / ₁₆ "	2.62"	0.90"	3- ⁷ / ₈ "	3.18"	0.95"	5"	4.13"	1.25"
1-¼"	1.29"	0.34"	1- ⁵ / ₈ "	1.57"	0.35"	2- ⁵ / ₈ "	2.02"	0.47"	2- ³ / ₄ "	2.40"	0.55"	3- ¹ / ₈ "	2.70"	0.90"	4-¼"	3.35"	0.90"	5- ³ / ₈ "	4.35"	1.25"
1- ⁷ / ₁₆ "	1.40"	0.34"	1- ¹³ / ₁₆ "	1.70"	0.40"	2- ⁹ / ₁₆ "	2.15"	0.47"	2- ¹⁵ / ₁₆ "	2.55"	0.50"	3-½"	2.90"	0.90"	4- ⁵ / ₈ "	3.58"	0.90"	5- ³ / ₄ "	4.57"	1.25"
1- ⁵ / ₈ "	1.51"	0.34"	1- ⁷ / ₈ "	1.79"	0.46"	2- ³ / ₄ "	2.40"	0.55"	3- ¹ / ₈ "	2.62"	0.55"	3- ⁷ / ₈ "	3.18"	0.95"	5"	3.85"	0.96"	6- ¹ / ₈ "	4.78"	1.25"
1- ¹³ / ₁₆ "	1.61"	0.34"	2"	1.79"	0.40"	2- ¹⁵ / ₁₆ "	2.55"	0.50"	3-½"	2.85"	0.85"	4-¼"	3.35"	0.96"	5- ³ / ₈ "	4.10"	1.00"	6- ¹ / ₂ "	5.00"	1.25"
2"	1.72"	0.34"	2- ³ / ₁₆ "	1.90"	0.40"	3- ¹ / ₈ "	2.62"	0.55"	3- ⁷ / ₈ "	3.07"	0.85"	4- ⁵ / ₈ "	3.58"	0.96"	5- ³ / ₄ "	4.32"	1.02"	6- ⁷ / ₈ "	5.22"	1.25"
			2- ³ / ₈ "	1.97"	0.40"	3- ¹ / ₂ "	2.85"	0.63"	4-¼"	3.26"	0.85"	5"	3.90"	1.00"				7-¼"	5.43"	1.25"
			2- ⁹ / ₁₆ "	2.12"	0.46"	3- ⁷ / ₈ "	3.04"	0.60"				5- ³ / ₈ "	4.10"	1.00"						
			2- ³ / ₄ "	2.24"	0.46"															
			2- ¹⁵ / ₁₆ "	2.36"	0.46"															

